



PSU-9

Double Battery Power Supply Unit

Owner's Manual

MANUFACTURED IN ITALY

TEL.+39.0571.675005

FAX.+39.0571.675013

Table of Contents

- Congratulations & Introduction	3
- Box Content	4
- Installation & Positioning	4
- Operating the PSU	5
- PSU Batteries	5
- Technical Specifications	6
- Warranty, Customer Service & Warnings	7
- Troubleshooting & F.A.Q	8

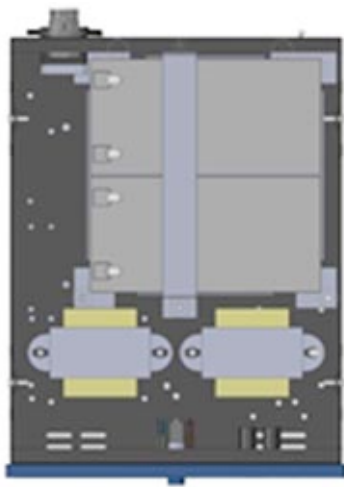
VERY IMPORTANT: Please read the following instructions carefully before installing your **GOLD**

NOTE® unit

Congratulations

Thank you for having purchased a Gold Note® product.

Introduction



The Gold Note PSU-9 is a dedicated super Double Battery released to optionally drive the Micro Line sources achieving high-end audio performance from any single unit.

The PSU-9 is a Double Battery Power Supply Unit, featuring an ultra-low noise external power supply, which can be used in combination with all Micro single components except with the amplifiers.

Goldenote philosophy has always claimed the importance of the power supply, which is fundamental in its design philosophy.

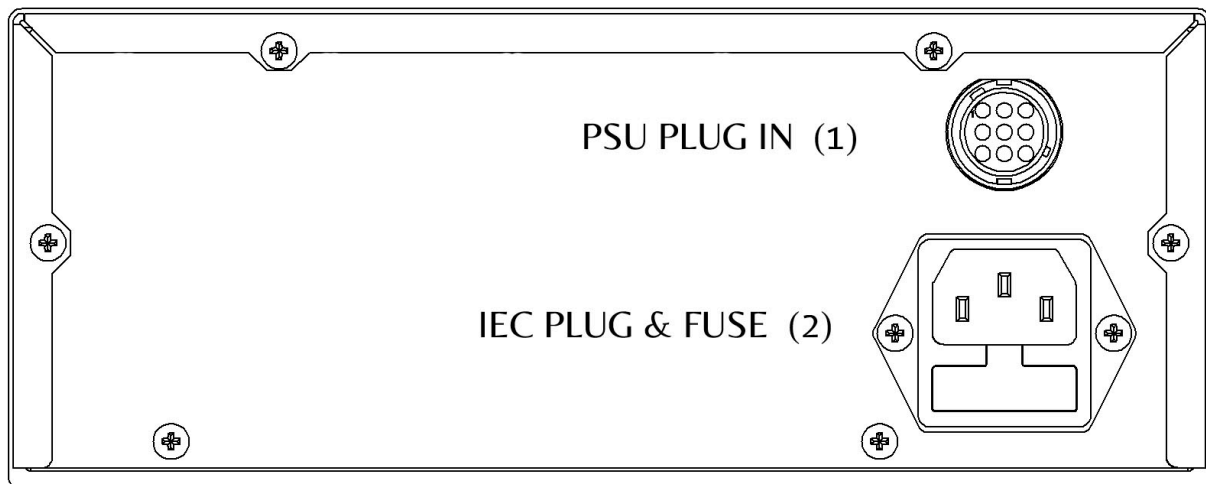
Even though our products are provided with a good quality internal power supply, the addition of the special external dedicated PSU-9 provides better dynamic stability, timing, clarity and details, thus effectively further improving the quality of any Goldenote Micro component.

(Contents of Packaging)

- 1pc. PSU UNIT
- 1pc. DETACHABLE AC POWER CHORD
- INSTRUCTIONS MANUAL

(Set-Up Instructions)

- Open all the cartons inside the main box and look that all the components listed are present.
- Carefully remove the PSU-9 unit from the shipping box and foam.
- Connect the audio cable (not supplied) and the AC Power Chord supplied.



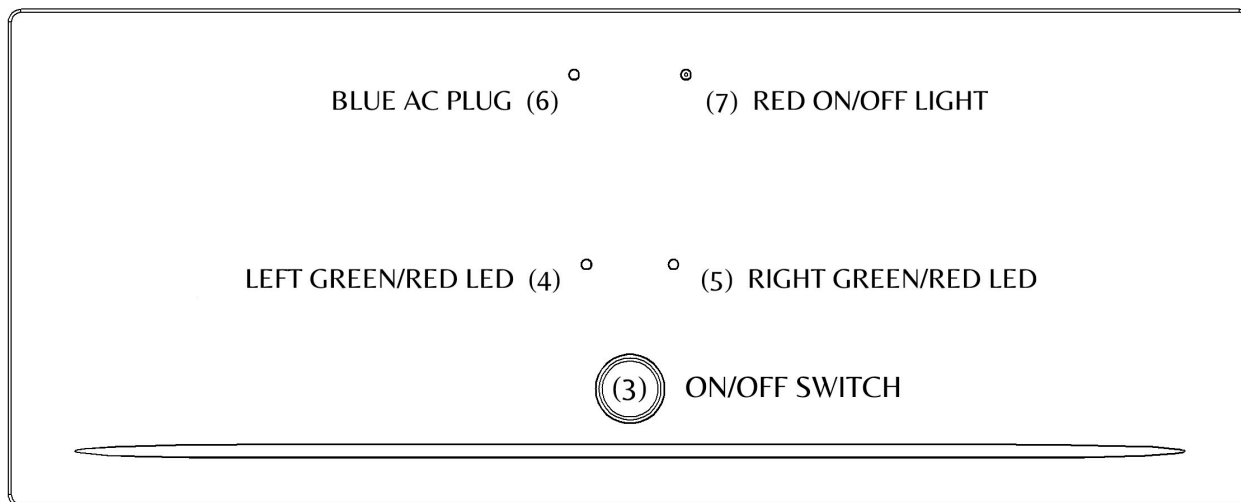
PSU-9 back panel

- (1) **PUS PLUG IN** – Water Proof Tyco connector for single Micro Line source unit
- (2) **IEC PLUG with FUSE** - 100 -240 Volt - 50/60Hz with 1 A fuse

(Operating Conditions)

The PSU-9 has been designed for use in Hi-Fi systems in sheltered locations. It ought therefore to be protected from any eventual variations in temperature and humidity. Avoid to use the unit close to radiators or other strong heat sources, electrical and electronic motors, switched on mobile phones etc.

The location in proximity of other audio components is not theoretically critical, but you should nevertheless pay attention to this. In any case, take care to unplug completely the unit every time you need to move it, or to move the turntable on which it is installed.



PSU-9 Front Panel

- (3) **ON/OFF** - Master switch, it turns the unit ON/OFF completely.
- (4) **LEFT LED LIGHT GREEN/RED** – Green during regular working – Turns red when need battery replacing.
- (5) **RIGHT LED LIGHT GREEN/RED** – Green during regular working – Turns red when need battery replacing.
- (6) **BLUE AC PLUG** – It shows the unit is plugged to an AC system.
- (7) **RED ON/OFF LIGHT** – It shows the unit is turned ON.

(PSU-9 Batteries)

The PSU-9 features a complete automatic battery recharging system to preserve the max durability of the batteries inside.

When the PSU unit is turned off the battery recharge system automatically starts if the batteries need it.

If during play the batteries need to be recharged the recharging system starts working without sound play interruption.

During play the batteries have about 12/15 hours continuous working.

Do not disconnect the AC power chord even when the PSU-9 works fully with batteries the AC power chord works as sentinel for the system to allow the unit normally play.

Technical Specifications

MAIN DETAILS

POWER SUPPLY UNIT	Super PSU to externally drive Micro DAC-7, PH-7 & CD-7
MICRO LINE SOURCE DRIVEABILITY	1 Tyco water proof 9 pins connector
FILTER CAPABILITY	1500 μ F + 1500 μ F + 2 x 3,5Ah batteries
LINEARITY	$\pm 1\%$ @25°C to $\pm 2\%$ @-40-125°C
RMS Output noise voltage (% of V Out)	[TA = 25°C, f =10Hz - 20kHz] 0.003 %

CONNECTIVITY

CONNECTOR	9 pin Tyco CPC model water proof
-----------	----------------------------------

POWER

MAINS SUPPLY	100V ▪ 115V ▪ 230V ▪ 50 or 60Hz (depending on market destination not convertible)
POWER ABSORBATION	Min. <1watt – Max.250watt
POWER SUPPLY	Dual Mono Real Battery Power stage

PHYSICAL

DIMENSIONS	200mm L x 80mm H x 260mm D
WEIGHT	6Kilos (13Lbs.)

FINISHES

FRONT PANEL	Brushed Black or Silver anodised aluminium
CASE	Black powder coated

(Warranty Registration)

To validate the warranty is necessary to register the unit on the Gold Note internet web site within 15 days from the purchase on the appropriate area of the web site: <http://www.goldnote.it/>

If the unit is not registered correctly or is been purchased from a different country of the purchaser origin/home the unit will not be covered by any warranty and the eventual registration refused.

The warranty does not does not cover in any case: Tubes, Phono Cartridge Styli and Batteries.

(Customer Service)

All GOLD NOTE® products are the result of meticulous technological research, and consequently their correct functioning is guaranteed. In spite of this it is possible that problems may emerge which non-specialist users cannot resolve. In this case, contact your dealer who will advise you on how to resolve the problem.

Do not return any object directly to the factory or to the national distributor or without being authorized to do so. In such cases both GOLD NOTE® and the distribution agents operating within your territory decline responsibility of any kind.

Please Note: Descriptions and technical characteristics may vary in any moment without notice.

Warnings

1. Do not disassemble any part of the product.
2. Do not use any part of the product for other purposes.
3. For service and problems of any kind, contact qualified Gold Note personnel.
4. Protect the product from rain and humidity and keep away from heat sources, electric and electronic motors etc.
5. The power Chord supplied must be used only on this unit.
6. Gold Note does not have responsibility for any improper use of this unit

Troubleshooting

SYNPTOM	DESCRIPTION	CAUSE	REMEDY
PSU DOES NOT POWER THE MICRO LINE SOURCE	The PSU does not light up the Micro Line Source	<ul style="list-style-type: none"> The unit is not correctly wired with the CPC Tyco cable 	<ul style="list-style-type: none"> The CPC cable connectors have a white spot as reference to find the right insertion hen rotating till the connector clicks in the corrected set up.
		<ul style="list-style-type: none"> The Micro Line source still AC wired. The ON/OFF switch of the Micro Line Source is also useless when wired to the PSU. 	<ul style="list-style-type: none"> Disconnect the Micro Line Source when plugged with the PSU. The PSU power the unit connected alone.
		<ul style="list-style-type: none"> The AC plug of the PSU is not well inserted into the unit or the wall AC plug 	<ul style="list-style-type: none"> Check the AC power chord is well inserted both sides.
THE PSU MAKES LOUD CLICKING NOISE		<ul style="list-style-type: none"> The unit is not correctly hooked with the CPC Tyco cable 	<ul style="list-style-type: none"> The CPC cable connectors have a white spot as reference to find the right insertion hen rotating till the connector clicks in the corrected set up.

F.A.Q.

PSU-9

ACTION	DESCRIPTION	HOW TO SET IT
HOW TO USE THE PSU-9	The PSU-9 is designed to be exclusively hooked to the GOLD NOTE® Micro Line Source: DAC-7, CD-7 and PH-7	<ul style="list-style-type: none"> The PSU-9 must be hooked to one of the Micro Line Sources via the supplied CPC cable connectors have a white spot as reference to find the right insertion hen rotating till the connector clicks in the corrected set up.
HOW TO CHANGE THE PSU-9 BATTERIES	If the unit starts to recharge to often the batteries of the front LED light (4) and (5) are almost always red, the batteries must be replaced.	<ul style="list-style-type: none"> Contact an official GOLD NOTE dealer to replace the batteries with original certified parts.
CLEANING THE PSU-9		<ul style="list-style-type: none"> With EXTREME care use ONLY pure alcohol and a very soft 100% cotton cloth to sweep dust and stains out. Any acid or not extremely soft cloth will irreversibly damage the fine aesthetic. Do not use any alcohol to clean the anodised label, or printed parts. Only dry cloth is allowed

GOLD NOTE
 Via della Gora, 6
 Montespertoli (Florence) Italy 50025
 Tel. + 39 0571 675005
 Fax. + 39 0571 675013
www.goldnote.it